

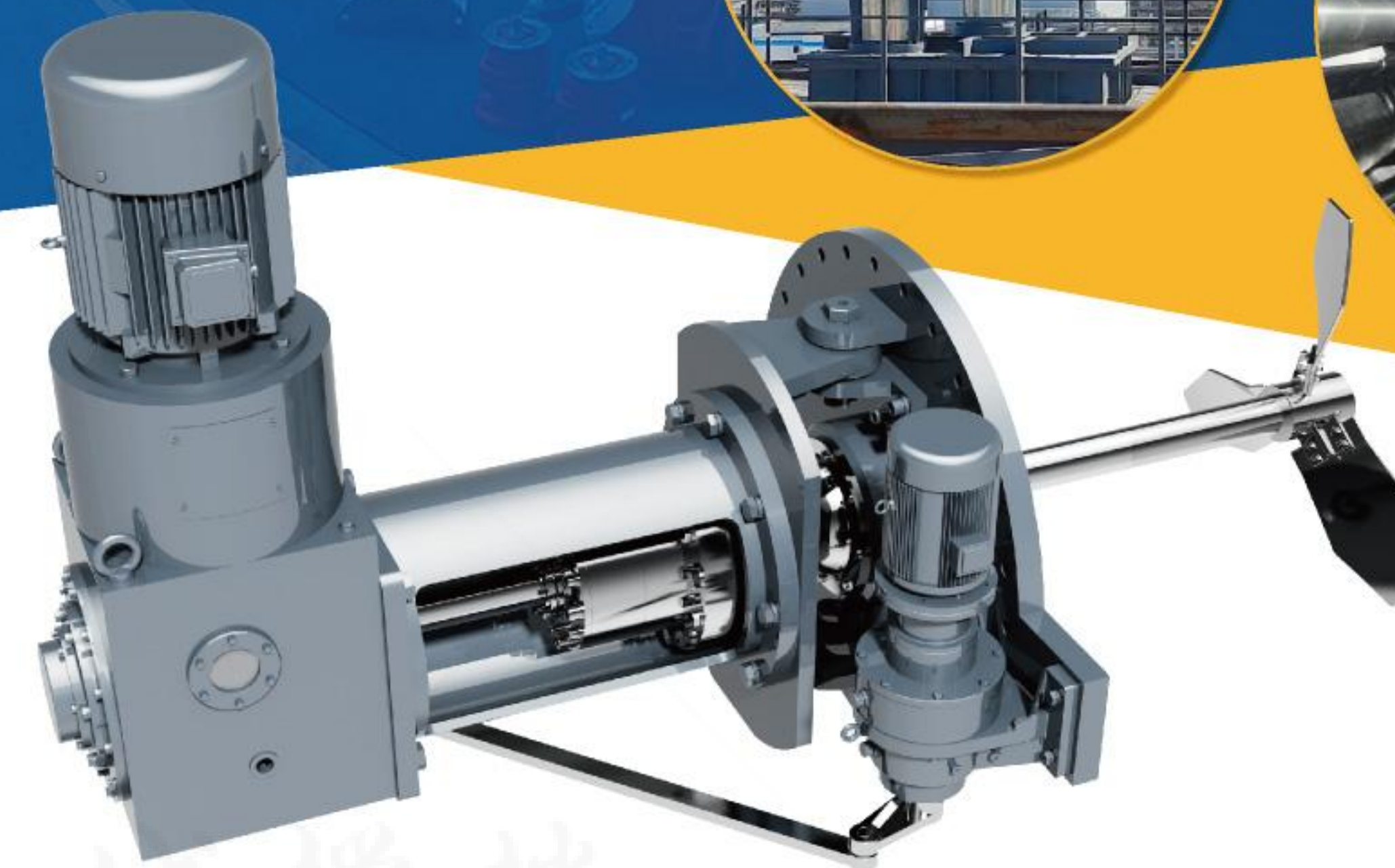
长城搅拌

长城搅拌



搅动无限可能！

MIXING THE WORLD!



长城搅拌

长城搅拌

长城搅拌

温州市鹿城区戍浦江路28号 邮编：325019  
 No.28 Shupujiang Road, Wenzhou,325019, China

总机 ( Tel ) : +86-577-85955555  
 传真 ( Fax ) : +86-577-88628622  
 售后服务/After-sales : +86-577-88615571  
 邮箱 (Email) : aaar@aaar.com.cn



720度企业全景  
 720° Aerial Panorama



企业公众号  
 Wechat Public Platform



中文网站  
 Chinese Website



英文网站  
 English Website

浙江长城搅拌设备股份有限公司  
 ZHEJIANG GREATWALL MIXERS CO.,LTD.



## 企业简介 Company Introduction

浙江长城搅拌设备股份有限公司前身系“温州市长城减速机厂”，成立于1993年，从最初的专业减速机生产厂家已发展成为国内外知名的搅拌技术开发与搅拌设备设计、制造的创新型企业。公司是国家高新技术企业，国家知识产权优势企业，浙江省创新型示范企业，浙江省专利示范企业，荣获浙江省AAA级资信企业、AA+级纳税信誉企业，浙江省信用管理示范企业等荣誉，产品荣获浙江省名牌产品，商标获得浙江省著名商标。

企业技术力量雄厚，现拥有博士、教授级高工、高级工程师等各类工程技术人员近百人，多人次入选市“拔尖人才”，省“151人才工程”等，技术团队入选“温州市重点企业技术创新团队”。公司建立了国家级博士后科研工作站，浙江省长城搅拌技术与装备研究院，省级企业技术中心，省级院士专家工作站，与华东理工大学、浙江工业大学等高校合作建立了硕士研究生培养基地，共同进行技术人才的培养。



近年来，公司承担及参与4项国家“863”项目，还完成了国家火炬计划项目，国家重点新产品项目及多项省、市科技开发和新产品开发项目，拥有专利技术及产品百余项，承担及参与制定行业标准16项，国家标准2项。牵头组织成立了中国化工机械动力技术协会搅拌技术专业委员会，是主任委员单位和秘书处挂靠单位，组织召开了四届全国搅拌与混合技术会议在行业内产生了重要影响公司通过了ISO9001、ISO14001及ISO45001管理体系的认证，出口产品获得了CE及ATEX的认证。技术领先 (Advanced technology)，质量可靠 (Assurable quality)，信誉至上 (Authentic reputation)，秉承的质量方针，长城公司的技术与产品获得了国内外客户的广泛认可，广泛地应用于石油化工、生物医药、食品、能源、环保、水处理等行业，国内市场拥有丰富的业绩，同时出口到美国、加拿大、巴基斯坦、印度、日本、韩国、东南亚及欧盟等国家和地区，赢得了国内外客户的广泛赞誉。



技术领先  
Advanced technology



质量可靠  
Assurable quality



信誉至上  
Authentic reputation

Zhejiang Greatwall Mixers Co., Ltd. (GREATWALL) was founded in 1993. But its history can be traced back to 1981. From the original manufacturer of reducers, GREATWALL has since become the leading company in China for mixing technology research, design, and manufacturing as well as the installation of agitators and mixers. GREATWALL is also well known in China by achieving many honors for “National High-tech Enterprises”, “Na-

GREATWALL invests heavily in R&D. The technical group is staffed by doctorates, professors of engineering, senior engineers and other technical specialists. Also, relying on strong collaboration with universities, such as ECUST, ZJUT, etc, GREATWALL has set up a National Enterprise Postdoctoral Research station, Provincial Mixing Research Institute, Provincial Technical Center and Provincial Academic workstation. All these initiatives support and guarantee GREATWALL's advanced technology. GREATWALL has been awarded more than one hundred patents for mixing technology. We have specified and set 16 national and industrial standards for mixing

GREATWALL has obtained ISO9001, ISO14001 and OHSAS18001 certification. The products for export have obtained CE and ATEX certification, and cover a wide range of industries which include pharmaceutical, petrochemical, fine chemical, environmental protection, mineral processing, food and beverage, water treatment, etc. Based on our advanced technology, abundant practical experience, excellent project design and execution, reliable product quality and dependable services, GREATWALL is well recognized and respected by all our customers. For our continuing development, GREATWALL will forge links with not only the design institutes and

## 绿色能源 Green Energy

1008KWP并网光伏电站  
1 MW distributed solar power station

低碳发展是长城公司的发展战略，我们不仅为客户提供节能和环境友好的产品和服务，而且建立了一个1兆瓦的光伏电站，用绿色能源来生产和制造我们的产品。

Sustainability and green manufacturing is deeply rooted in GREATWALL's business strategy. We not only supply environmentally friendly products or services to our customers worldwide, but also built a 1MW solar power station to provide renewable and



## 社会慈善 Charity



# 资质荣誉 Awards and Certificates

## 行业及国家标准起草单位 Drafted Standards

长城搅拌不仅专注于产品开发,而且致力于推动整个行业的发展。我们参与起草了搅拌机、减速机和机械密封的主要行业标准。

GREATWALL not only focused on the development of our products, but the whole development of the industry. we drafted the main industry standards on mixers, reducers and mechanical seals.

- 釜用立式减速机(HG / T 3139.1~12)
- 搅拌器(HG / T3796.1~12)
- 钢制机械搅拌容器技术条件(HG / T 2268)
- 机械搅拌设备(HG / T 20569)
- Vertical reducer for tank(HG/T 3139.1~12)
- Impellers(HG/T3796.1~12)
- Technical conditions for steel stirred vessels (HG/T 2268)
- Mechanical agitators(HG/T 20569)

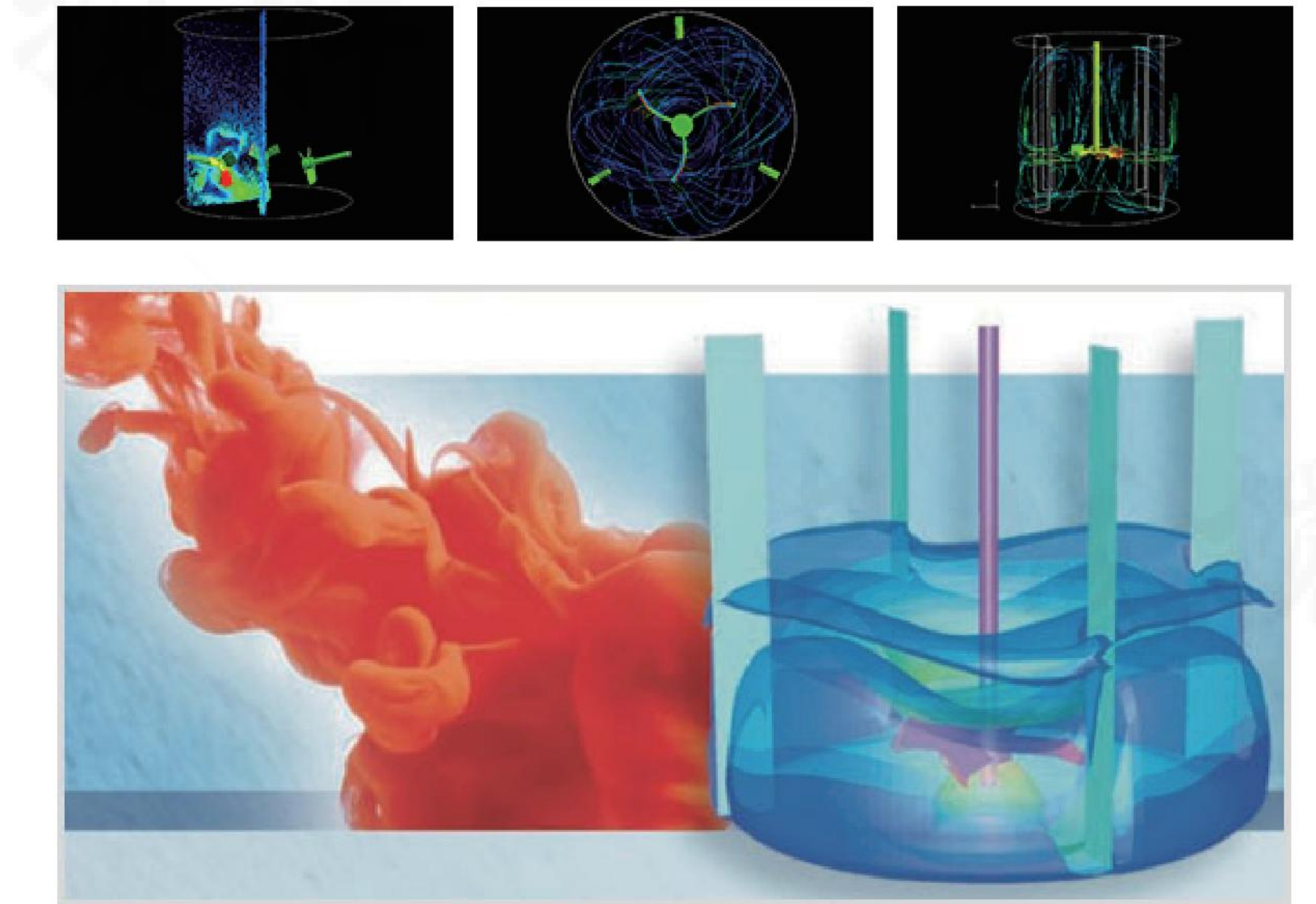


# 研究与开发 Research & Development

## 长城搅拌实验室 Greatwall Mixing Laboratory

长城搅拌公司建立了专门用于搅拌与混合技术研究的实验室,购置了粒子成像测速仪(PIV), Brookfield粘度计,电导率仪,扭矩传感器等实验仪器设备,拥有2升到200升的实验室测试平台,以及1吨到50吨的工业规模测试能力。实验室各种型号和尺寸的搅拌器,能够满足客户不同类型的搅拌实验要求,先后与国内外数家知名企业进行了联合实验与开发。

We have built one of the most advanced mixing laboratory in the world which includes high speed video imaging, Particle Image Velocimetry (PIV), Brookfield Viscometer, and the latest CFD analysis software (Fluent). In addition to laboratory sizes, testing equipments, we have fullscale testing capability for industry size agitators.

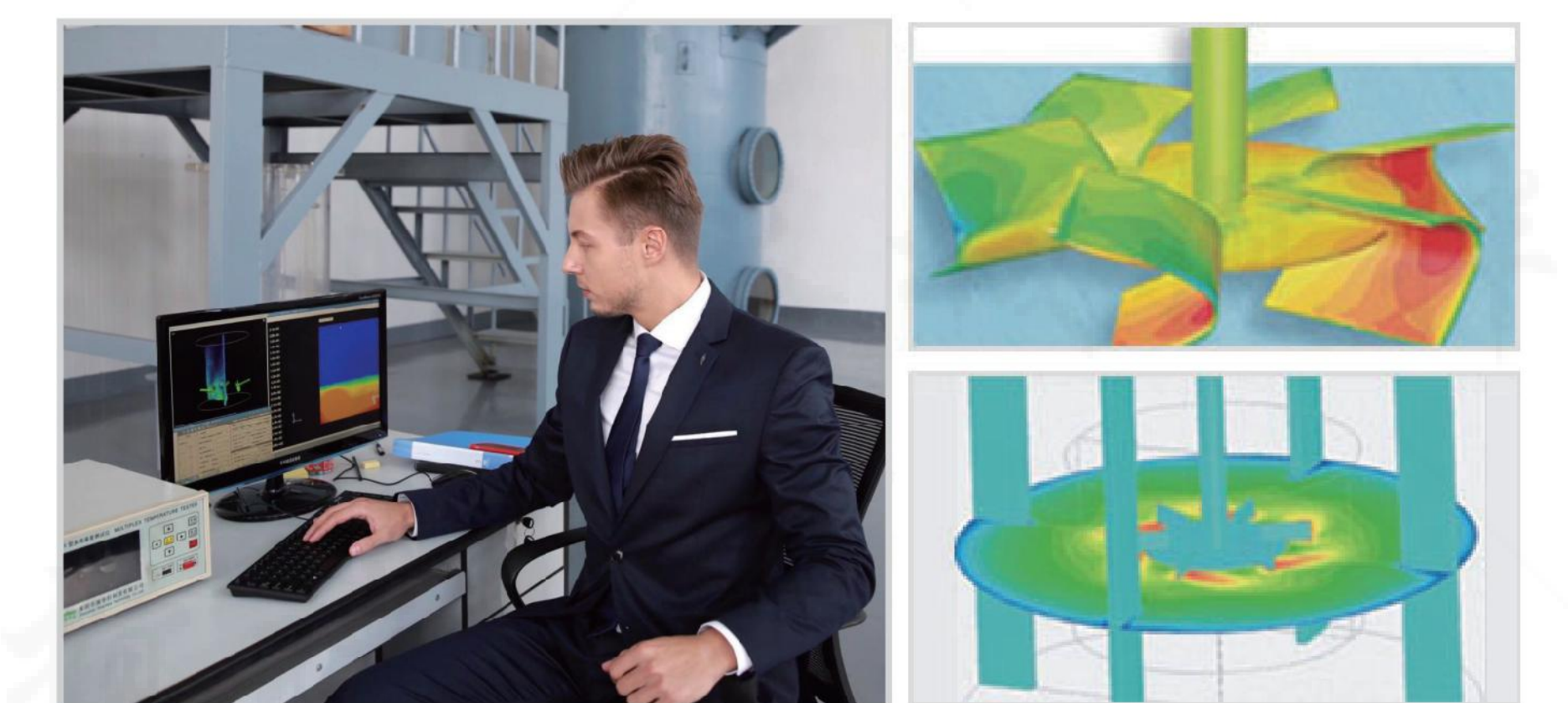
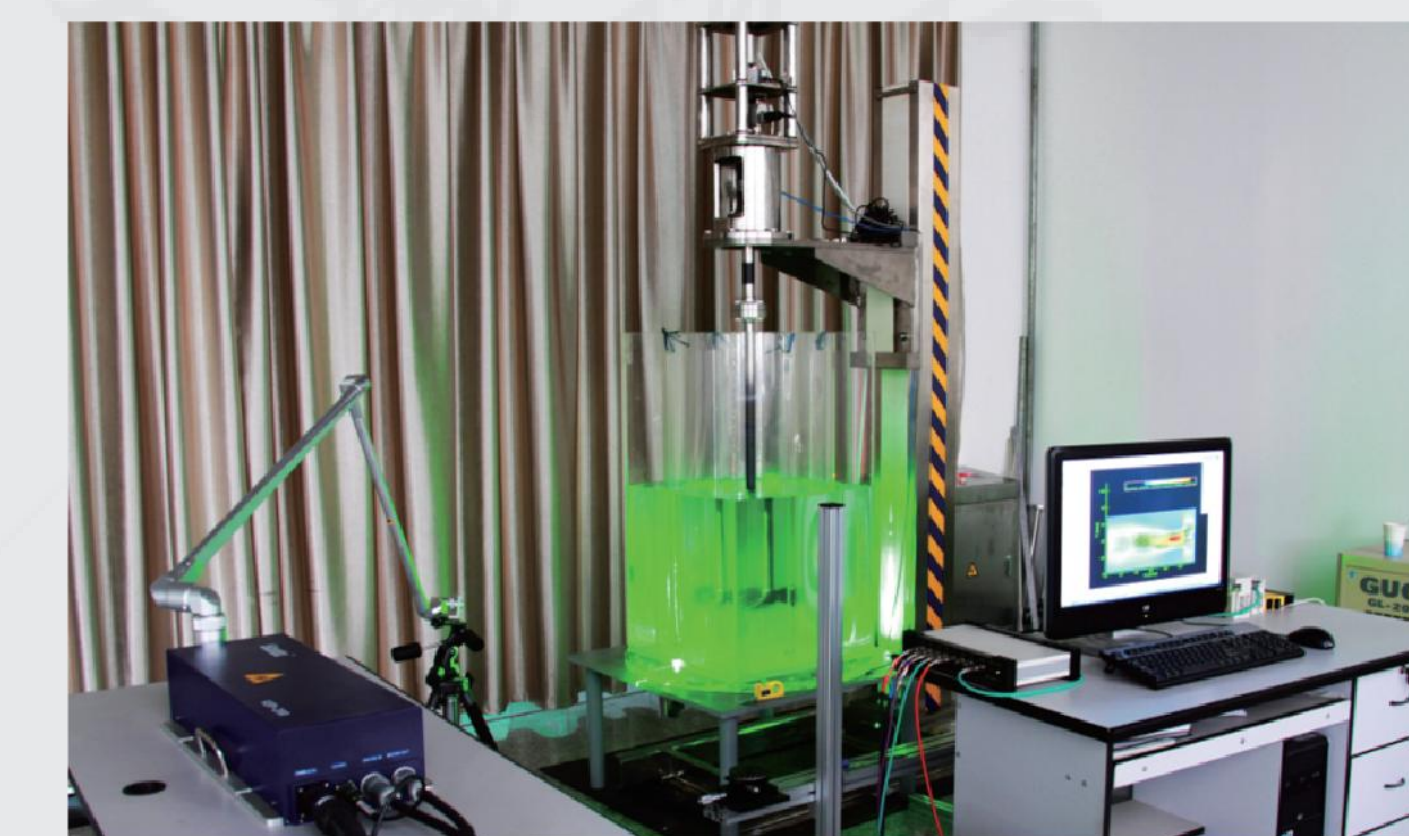


## CFD 计算机流体分析 CFD - Computational Fluid Dynamics

计算流体力学(CFD)能够模拟很多实验条件无法完成的工况,而且能为设计提供诸多比较准确的关键数据,越来越受到研究者及工程技术人员重视。长城搅拌公司近10年的CFD研究和应用积累了大量的经验,为客户提供了大量的优化设计,解决了大量的疑难问题。

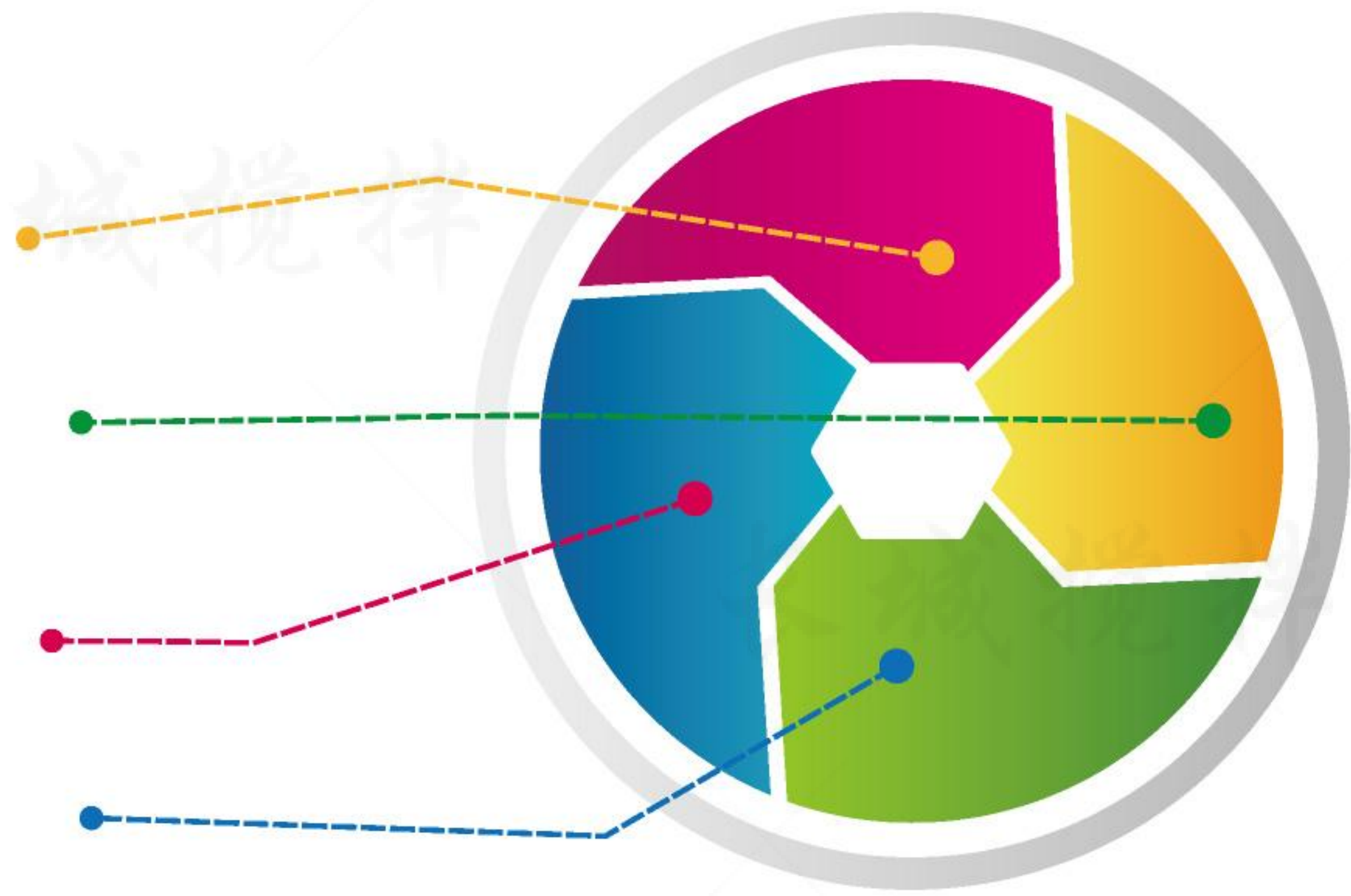
"Computational Fluid Dynamics" (CFD) could accurately predict mixing performance in large tanks including those with unusual geometry or process requirements. The combination of PIV with CFD gives us powerful tools to substantially reduce pilot or full scale trials.

## PIV 粒子成像测速 PIV - Particle Image Velocimetry

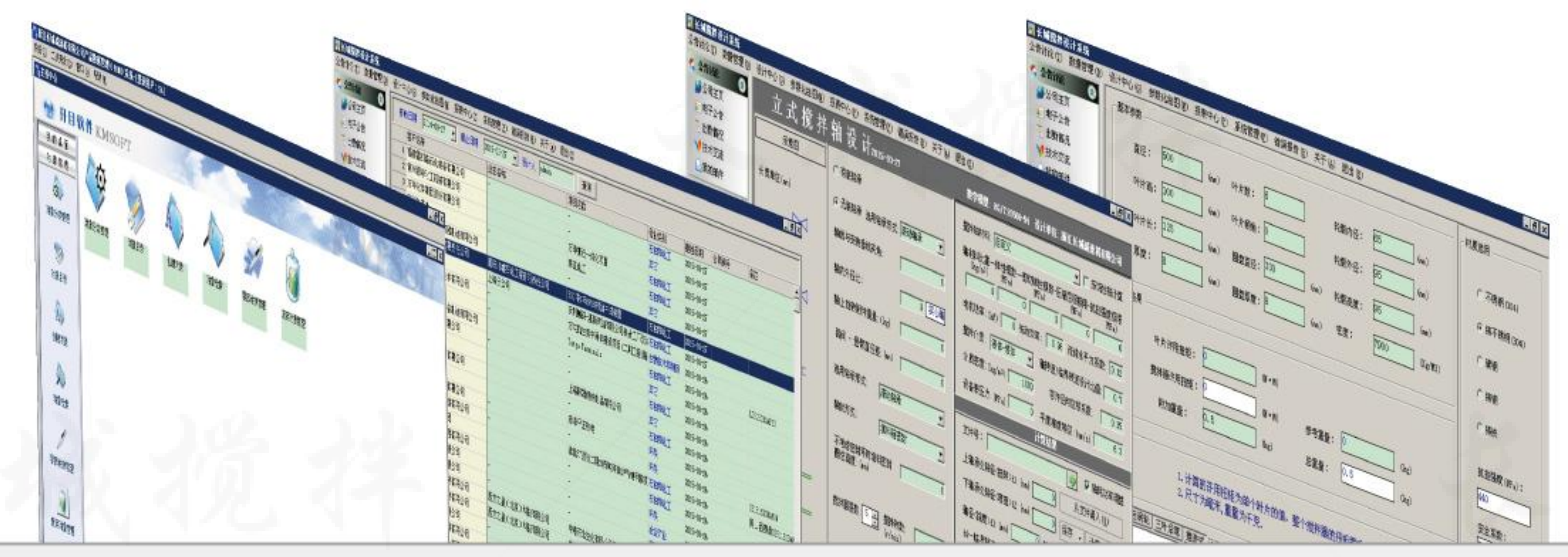


# 研究与开发 Research & Development

- 流动分析 Flow field analysis
- 搅拌目的 Mixing process and Operating purpose
- 机械设计 Mechanical design
- 材料应用 Material application



# 设计软件 Design Software



PDM系统 PDM system    搅拌设计系统 Mixing Design Suite    搅拌轴设计 Shaft Design    搅拌器设计 Impeller Design



## 制造能力 Manufacturing Abilities

- ① 长轴加工车床 Lathe for Long Shaft
- ② 生产车间 Workshop
- ③ 立式车床 Vertical Lathe
- ④ 加工中心 CNC Machine
- ⑤ 等离子切割机 Plasma Cutting Machine



## 设备 Facility

- ① 侧入式搅拌机密封试验台 Seal Test Platform for Side-entry Mixer
- ② 移动式金属分析光谱仪 Spectrometer for Metal Analysis
- ③ 三坐标测量仪 Three-coordinates Measuring Machine
- ④ 搅拌试验槽 Workshop Tests for Mixers



翼型搅拌器  
Hydrofoil impeller (6.3m)  
for US Ethanol Plant



用于聚合釜的螺带式搅拌器  
Helical Ribbon impellers (3.9m)  
for Polymerization Tanks



直径3.55m皮带轮 (630kW)  
3.55m Belt wheel for Belt Reducer(630kW)



1100kW发酵搅拌机  
1100kW Mixers for Fermentation Tanks

顶入式搅拌机  
Top-entry Mixers



大功率皮带搅拌机  
Large - power belt mixers



同轴式搅拌机  
Co-axial gear mixers



平行轴搅拌机  
Parallel shaft gear mixers



直交轴搅拌机  
Right - angle gear mixers



双输出轴组合型搅拌机  
Double - output shaft mixers



磁力传动搅拌装置  
Magnetic Drive Mixers

MTC系列磁力传动搅拌装置将永久磁性联轴器的工作原理应用于搅拌传动装置，由磁力耦合器无接触传递力矩，以静密封取代了传统的动密封(即填料和机械密封)，从而彻底解决以前动密封无法克服的泄漏问题，使整个介质完全处于绝对封闭状态，适用于对泄漏有严格要求的制药、化工、生物、农药等行业。该装置可设计成顶入式和底入式结构。

MTC series magnetic drive mixers use permanent magnet for the transfer of torque. Different from the moving seal (such as mechanical seal or stuffing box), the static seal solves the leakage problem at last. So it is suitable for industry applications which does not allow any leakage, such as pharmaceutical, chemical, biochemical, pesticide, etc. The MTC drive mixers could be designed for both top and bottom entry type.



T286型  
Type T286 seal



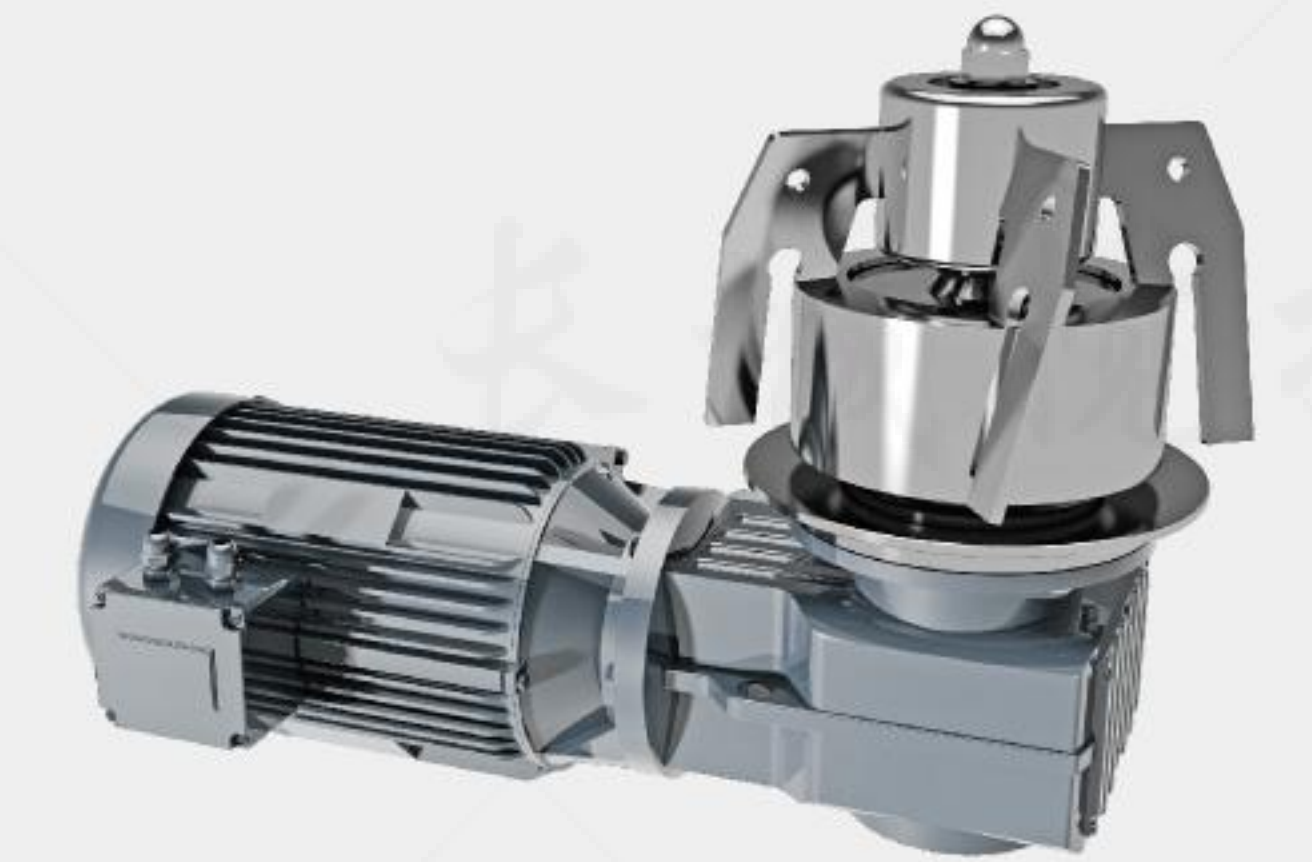
GW204H型  
Type GW204H seal



202F型  
Type 202F seal



2004型  
Type 2004 seal



MTS系列  
磁力传动搅拌装置  
Bottom-entry type

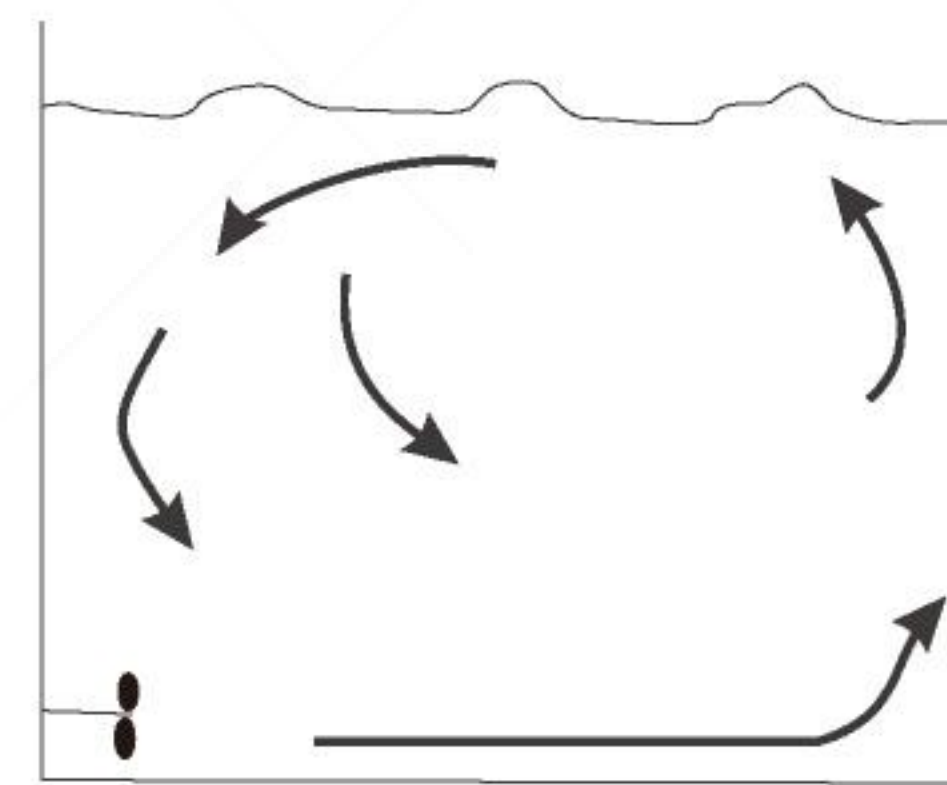


顶入式磁力传动搅拌机  
Top-entry type

### 侧入式搅拌机 Side-entry Mixer

CKJ 系列周期摆动侧入式搅拌机  
CKJ Swival Angel Side-entry Mixer

- 最低维修要求 Minimum maintenance requirements
- 专利堵头装置 Patent pending shut-off device



CFJ 系列齿轮传动侧入式搅拌机  
CFJ Side-entry Mixer



### 特殊搅拌机 Special Mixers

XKJ系列可移式搅拌机  
XKJ Series Portable Mixers

XKJ 型可移式搅拌机是长城搅拌广泛使用的搅拌机之一。它专为多用途混合而设计，易于安装和移动。它具有广泛的功能和优点。

The XKJ portable mixer is one of the widely used mixers of Greatwall. It is specially designed for multi-purpose mixing and easy installation and movement. It possesses a broad range of features and benefits.

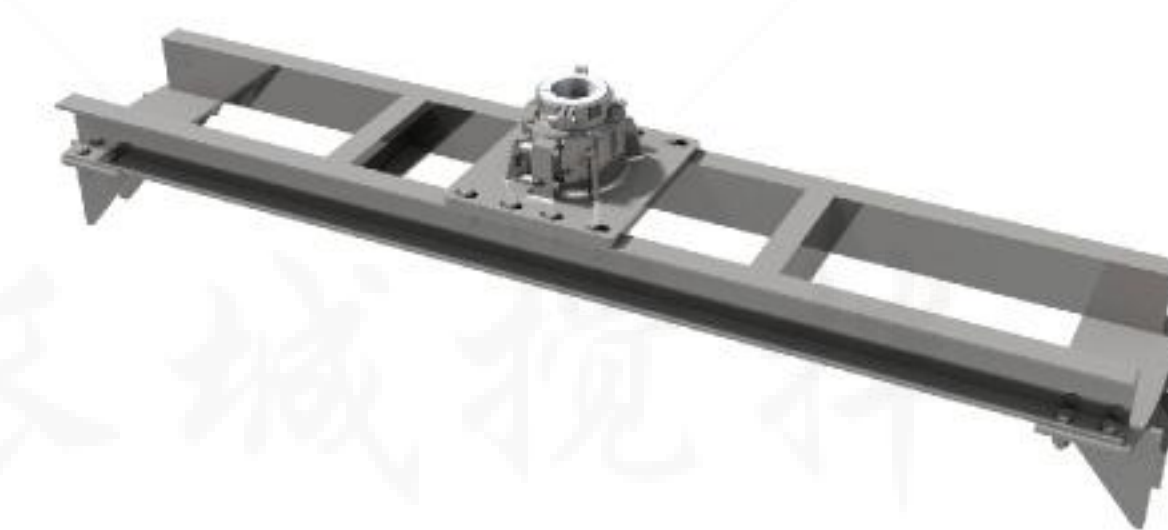
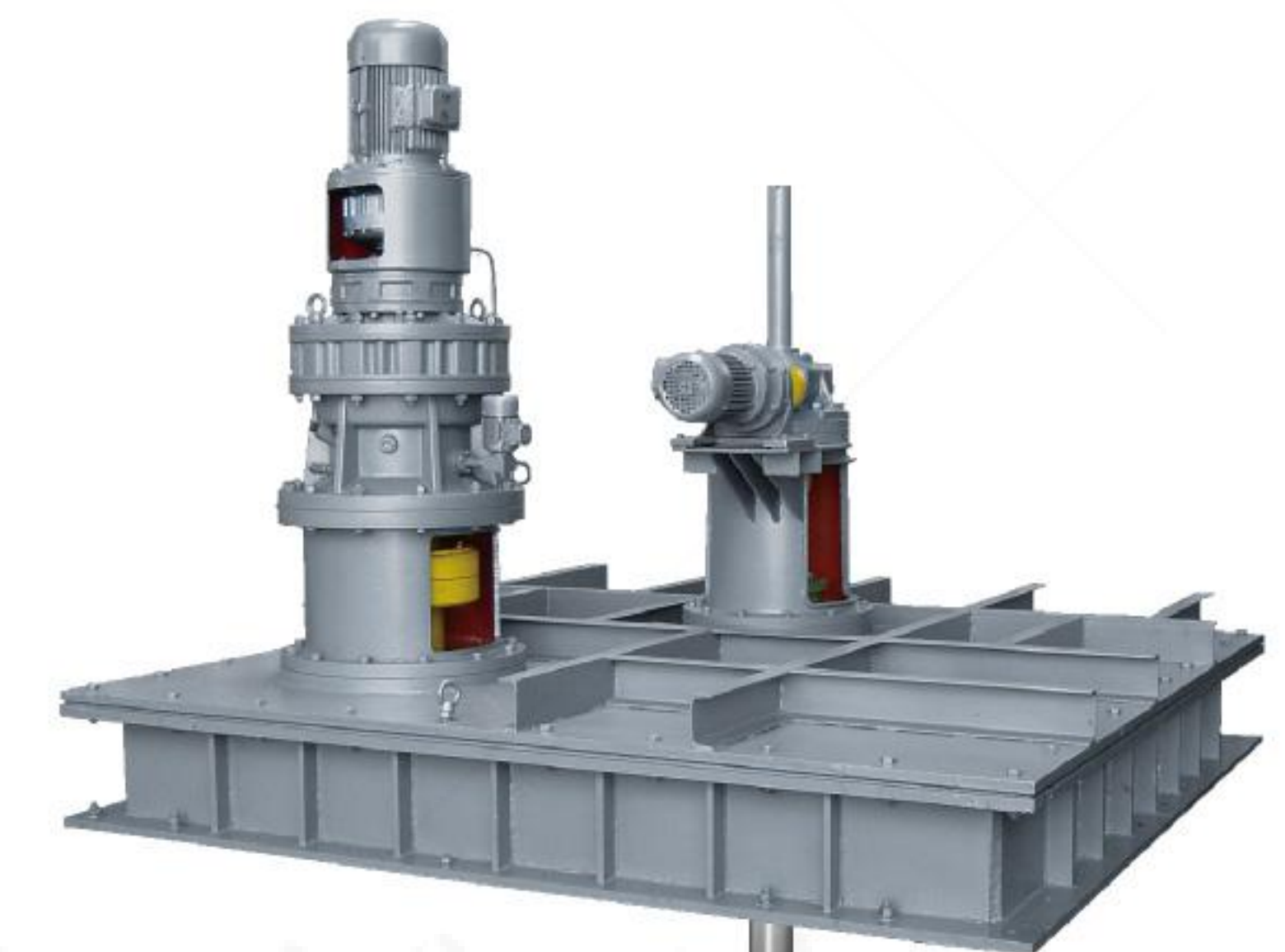


管道混合机  
Pipe mixer

### 大型刮泥机 (浓密机) Large Mud Scraper or Thickener

刮泥机和稠厚器带特殊的驱动装置，广泛用于水处理、冶金过程和盐化工行业。

The special drive unit for large mud scraper or thickener is widely used in water treatment, mineral and salt industries. It could be specially designed according to your special needs.



中间稳定轴承  
Intermediate steady bearing



底部稳定轴承  
Bottom steady bearing

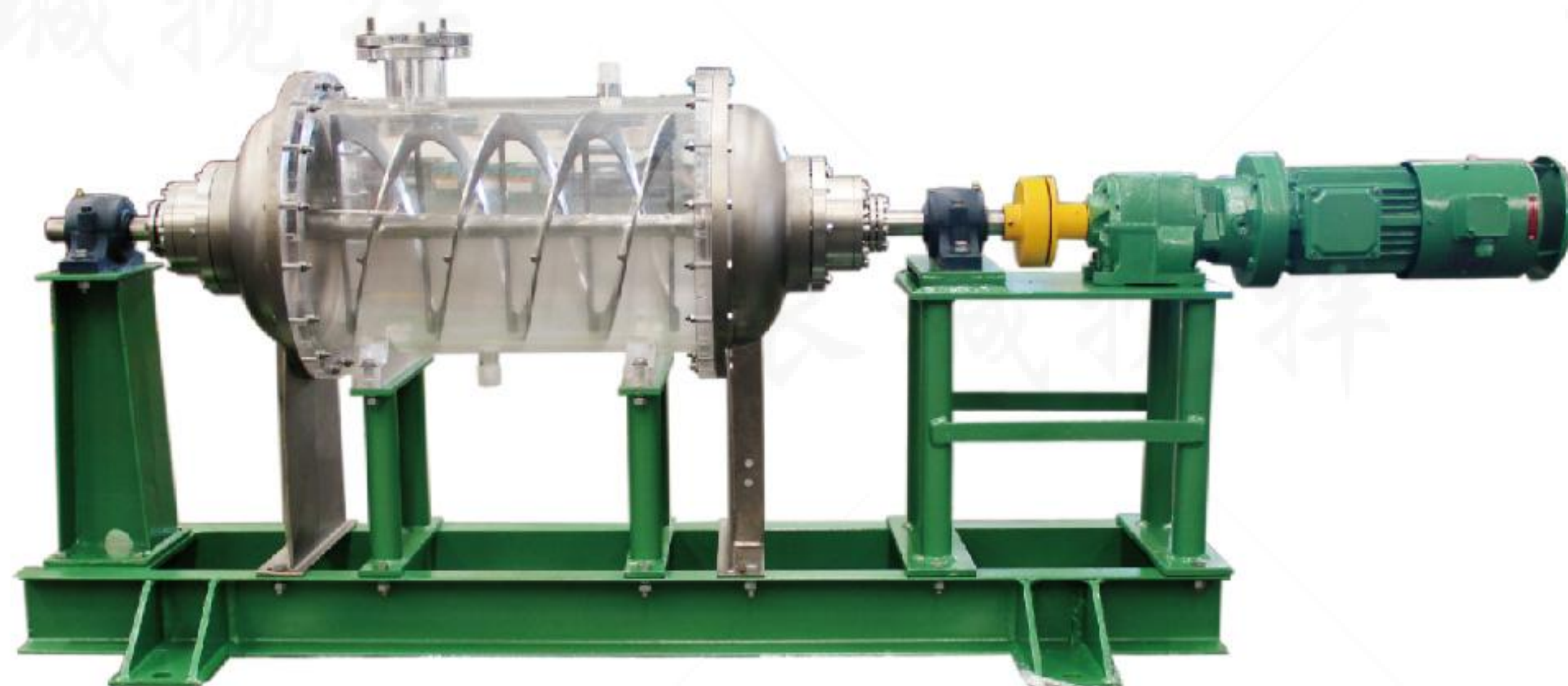
撬装实验平台  
Skid-mounted Test Platform



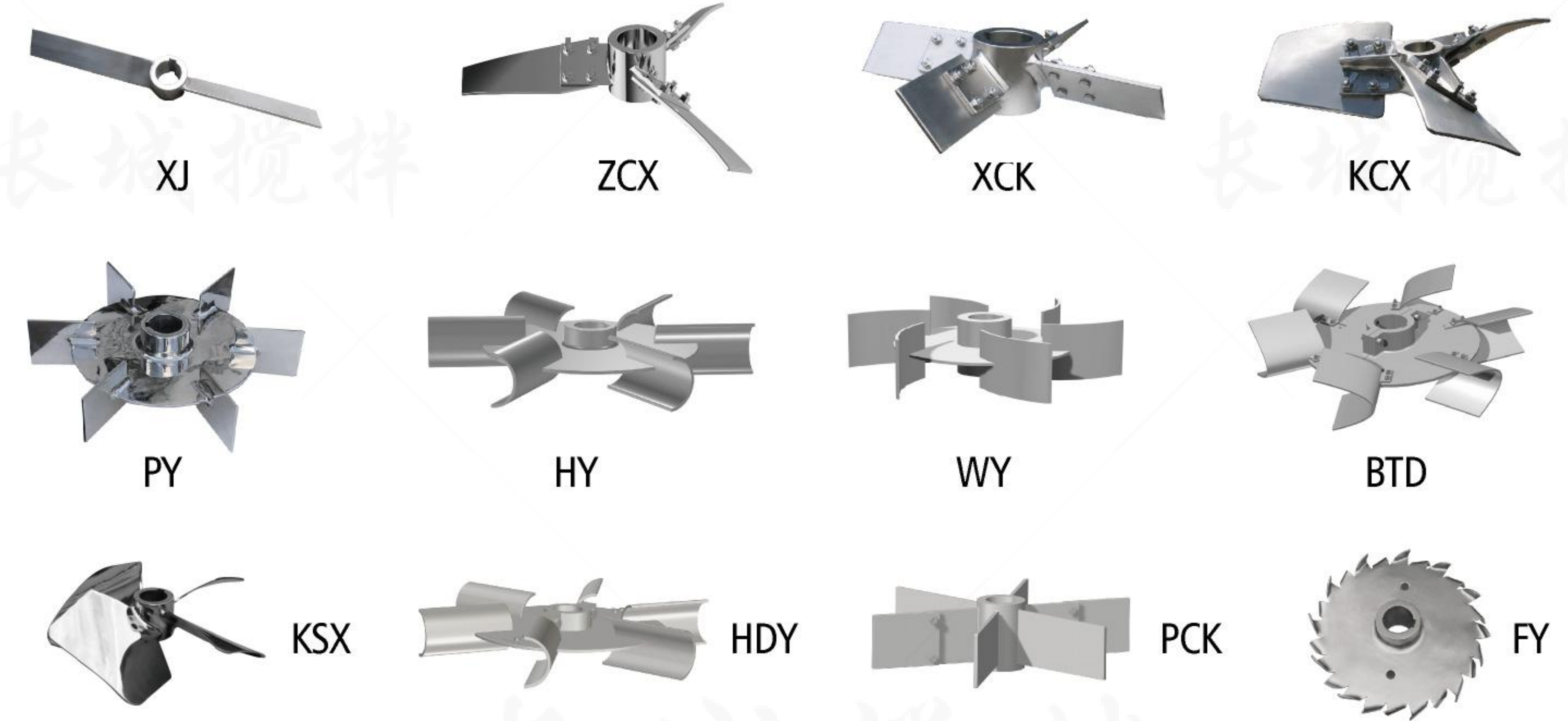
实验室系列 Lab Series

实验室系列搅拌机广泛用于实验室测试。使用有机玻璃罐，可以清楚观察混合效果，通过安装扭矩传感器和其它仪表，可以获得搅拌功率和流场信息等。

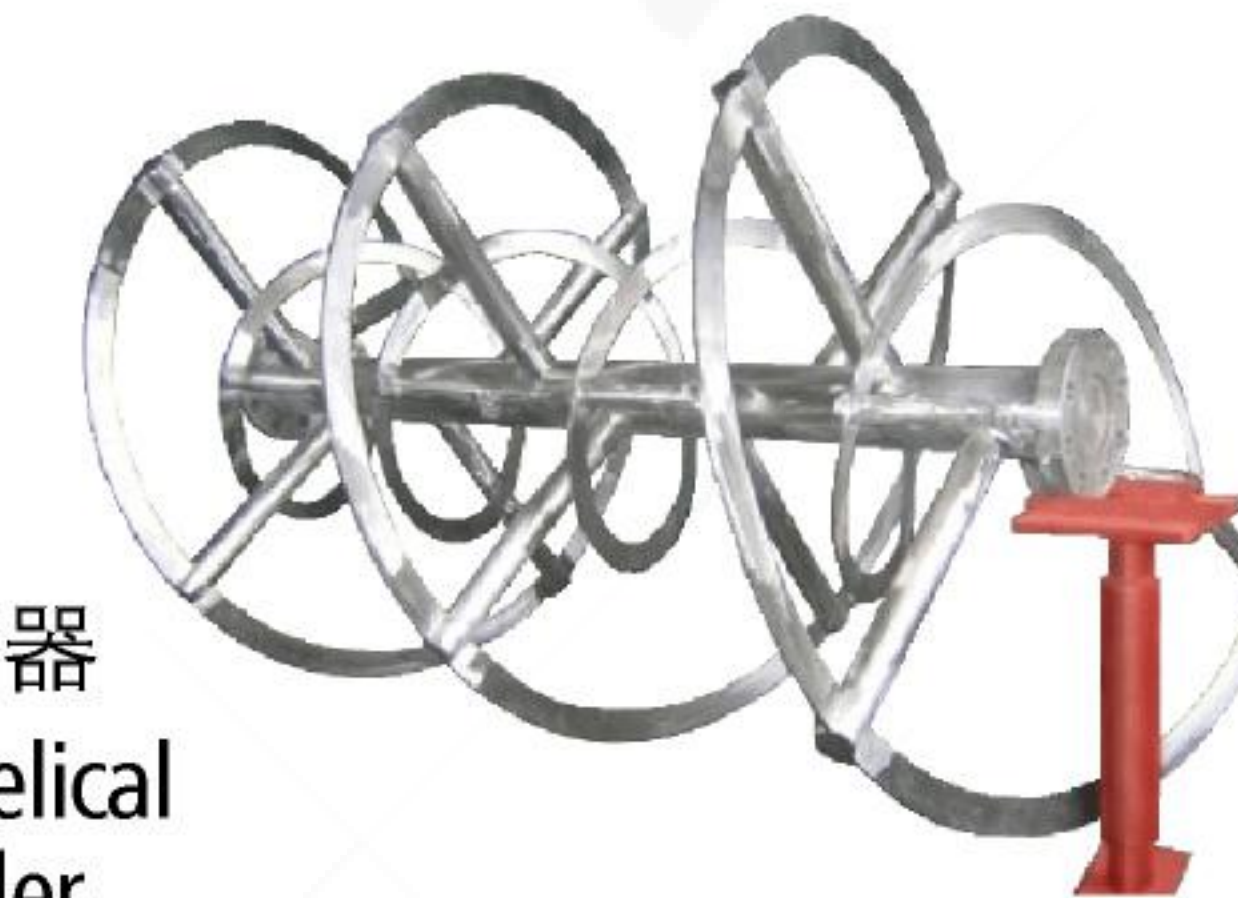
The lab series mixers are widely used for laboratory tests. With acryl glass tank, the mixing effects could be seen clearly. By adding torque meter and other instrument, the impeller power, as well as detailed flow field could be measured.



搅拌器 Impellers



双螺带搅拌器  
LD-Double helical ribbon impeller



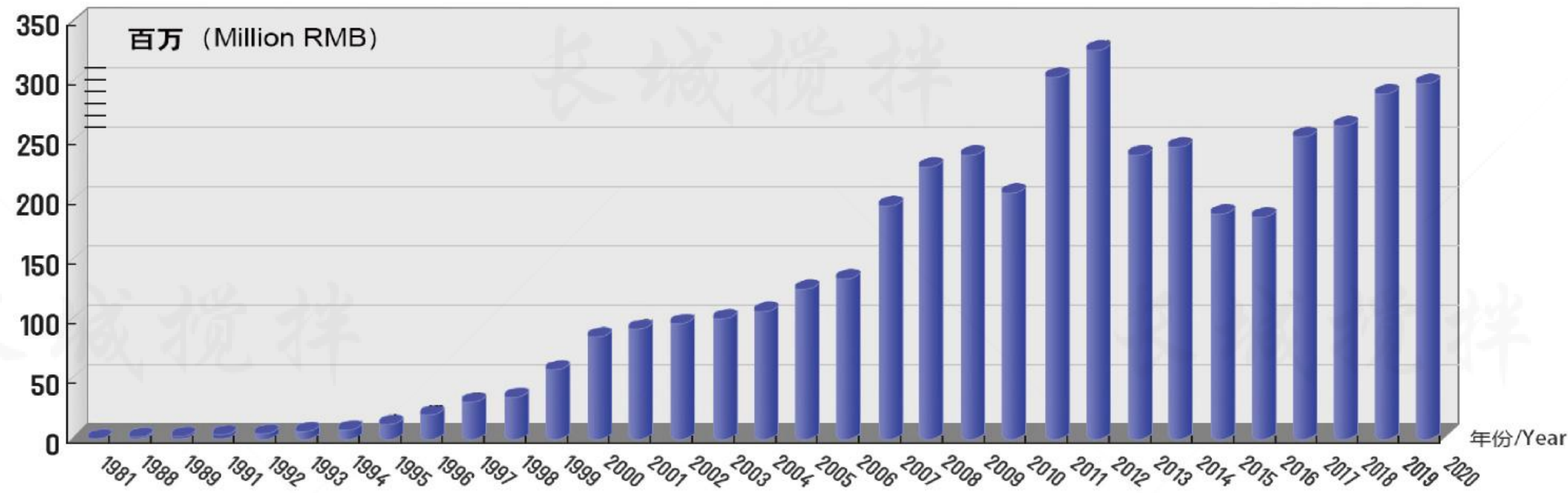
锚框式搅拌器  
MKS-anchor impeller



搅拌器造型指南 Impeller Selection Guide

应用 Application	互溶液体混合 Miscible Fluids Blending	固液悬浮 Solids Suspension	气体分散 Gas Dispersion	不互溶液体混合 Immiscible Fluids Blending	高粘流体混合 High Viscosity Mixing
搅拌器型号 Impeller types	XJ, XCK ZCX, KCX	XCK, ZCX KCX	PY, HY, WY BTD, KSX	PCK, FY	LD, MKS

销售情况 Sales Chart



国际销售网络 International Sales Network



国内营销网络 Domestic Sales Network



部分合作伙伴 Part of International Customers




## 应用与服务 Applications & Services



长城搅拌致力于制造高质量的流体混合、搅拌装备。保证正常使用过程中质量的稳定性和可靠性。

我们为客户提供专业的安装和维护帮助。除了提供用户说明书外，也提供客户现场的安装和维护指导。

长城搅拌拥有完善的备品备件服务流程及设施，能根据您设备所需备件记录，无论是标准件，例如机械密封、轴承，还是其他内部组件，均能迅速为您提供满意的备品备件服务。

Greatwall is devoted to the manufacture of quality equipment for fluid agitation and mixing. We warrant our products to be constructed of new material and to be free from defects in material or workmanship under normal and proper use.

For our customers, we also provides expert help on installation and maintenance. Besides the user's manuals, which provide detailed maintenance specifications, we also provide direct or indirect installation and maintenance guidance.

Our parts program includes individual recommendations and review of your spare parts stock, based on your equipment and process. Our large inventory supports your stock, and provides quick fulfillment of maintenance and repair need, including standard replacement items such as seals, bearings, and lots of internal subassemblies.

